

BEAM CLAMP MODELS 300D & 310D

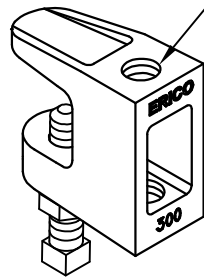


FIG 1

ROD SIZE
(SEE CHART)

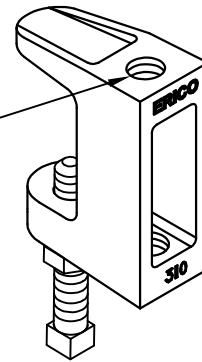
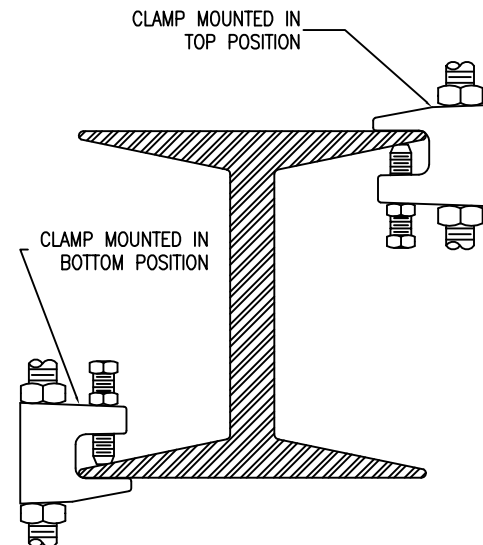


FIG 2

FEATURES

Allows structural attachment to top or bottom of metal beams, purlins, channel or angle iron to support hanger rod.

Location of threaded rod insertion permits easy attachment to other fixtures.



SEE REVERSE FOR APPLICATION DETAIL

WARNING

1. ERICO products shall be installed and used only as indicated in ERICO product instruction sheets and training materials. Instruction sheets are available at www.erico.com and from your ERICO customer service representative.
2. ERICO products must never be used for a purpose other than the purpose for which they were designed or in a manner that exceeds specified load ratings.
3. All instructions must be completely followed to ensure proper and safe installation and performance.
4. Improper installation, misuse, misapplication or other failure to completely follow ERICO's instructions and warnings may cause product malfunction, property damage, serious bodily injury and death.
5. Products that are manufactured using spring steel components shall be used only in a non-corrosive indoor environment.
6. All pipe supports, hangers, intermediate components and structural attachments must **ONLY** be used as described herein and are **NEVER** to be used for any other purpose.

NOTE: All load ratings are for static conditions and do not account for dynamic loading such as wind, water or seismic loads, unless otherwise noted.

The customer is responsible for:

- a. Conformance to all governing codes.
- b. The integrity of structures to which the products are attached, including their capability of safely accepting the loads imposed, as evaluated by a qualified engineer.
- c. Using appropriate industry standard hardware as noted above.

SAFETY INSTRUCTIONS: All governing codes and regulations and those required by the job site must be observed. Always use appropriate safety equipment such as eye protection, hard hat, and gloves as appropriate to the application.

CADDY, CADWELD, CRITEC, ERICO, ERIFLEX, ERITECH and LENTON are registered trademarks of ERICO International Corporation.



TECHNICAL SUPPORT:
www.erico.com

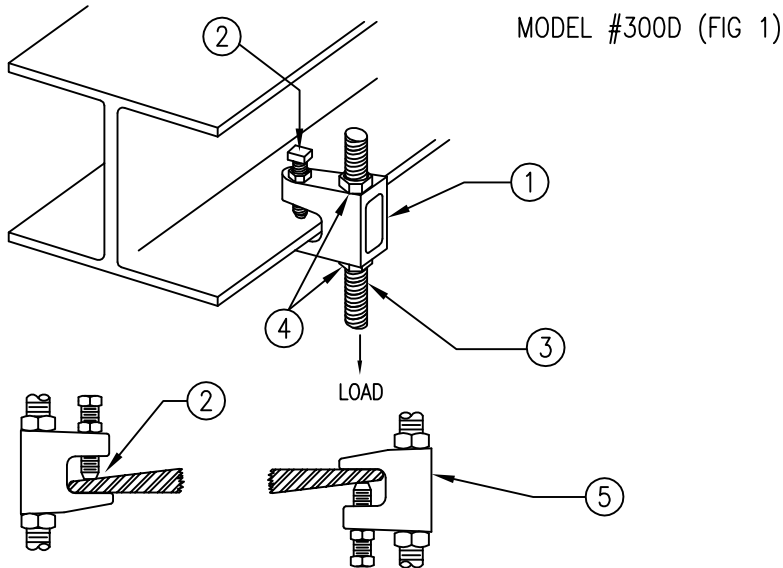
CFS291_D

1 of 2

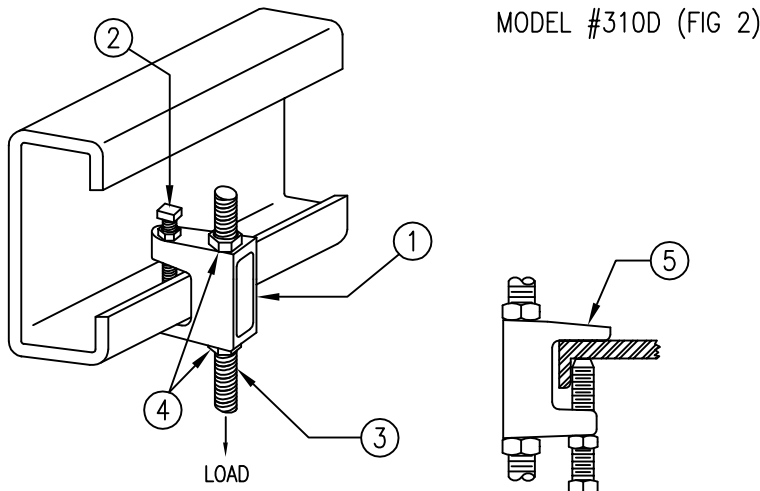
© 2008 ERICO International Corporation

ERICO[®]

MODEL NUMBER	FIG. NO.	DESCRIPTION	MAX. PIPE DIA. SUPPORTED BY CLAMP & THREADED ROD	ROD SIZE	MAX. RECOM. LOAD LBS.	
					TOP	BOTTOM
300D	1	Reversible Beam Clamp to secure threaded rod to structure	4"	3/8"	500	250
300D	1	Reversible Beam Clamp to secure threaded rod to structure	8"	1/2"	950	760
300D	1	Reversible Beam Clamp to secure threaded rod to structure	8"	5/8"	950	760
300D	1	Reversible Beam Clamp to secure threaded rod to structure	8"	3/4"	950	760
300D	1	Reversible Beam Clamp to secure threaded rod to structure	8"	7/8"	950	760
310D	2	Reversible "Big Mouth" Beam Clamp to secure threaded rod to structure	4"	3/8"	500	250
310D	2	Reversible "Big Mouth" Beam Clamp to secure threaded rod to structure	8"	1/2"	950	760



1. Position Clamp on beam.
 2. Tighten screw. Set screw must be tightened to sloped side of I-beam, channel, or angle iron flange and torqued to 60 inch pounds. Locknut required to resist vibration.
 3. Insert rod into threaded hole, adjust to desired height.
 4. Lock in place with jam nut.
 5. Clamp may be secured in reverse position as shown.
- NOTE: Threaded rod and two hex nuts are not included.



1. Position Clamp on beam.
 2. Tighten screw. Set screw must be tightened onto sloped side of I-beam, channel or angle iron flange and torqued to 60 inch pounds for 3/8" rod size and 125 inch pounds for the 1/2" rod size. Locknut required to resist vibration.
 3. Insert rod into threaded hole, adjust to desired height.
 4. Lock in place with jam nut.
 5. Clamp may be secured in reverse position as shown.
- NOTE: Threaded rod and two hex nuts are not included.

